

GENERAL CHARACTERISTICS

A diaphragm triggers a contact while reaching the pressure or differential pressure value selected. The switch point is adjusted by means of a calibrated dial which is arranged below the transparent cap.

- * optional installation
- * good repeatability
- * low pressure ranges

Nozzle Ø6,2 ABS



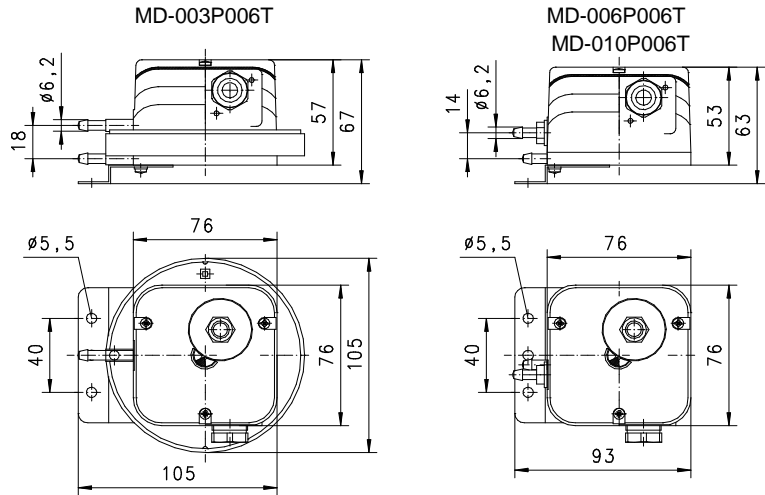
TECHNICAL DATA

MD-006P006T

	DN	Type	PN bar	adjustable range mbar (rel.)	hysteresis mbar	weight kg
ABS	6	MD-003P006T	0.15	0.2 - 3	0.1 - 0.15	0.30
		MD-006P006T	0.3	0.4 - 6	0.2 - 0.30	0.25
		MD-010P006T	0.3	1.0 - 10	0.2 - 0.35	0.25

Adjustable range is indicated for increasing pressure and vertical installation.

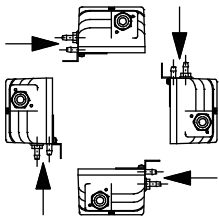
media temperature tolerance max. 80°C ±10% of selected switch value



MATERIALS

body ABS
diaphragm NBR

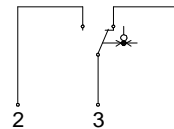
MOUNTING POSITION



Attention! During horizontal installation the selected switch point is reduced or extended by 0.2 mbar.

ELECTRICAL DATA

mechanical switch gold contact
wiring 0.280 change over
250 V AC 5(0.5)A
24 V AC 1(0.2)A
cable gland Pg 9
protection class IP 54



METERING SUBSTANCES



gas/air

NOMENCLATURE

MD-	003	P	006	T	basic type specification
	003				● adjustable range 0.2 - 3 mbar (rel.)
	006				● adjustable range 0.4 - 6 mbar (rel.)
	010				● adjustable range 1.0 - 10 mbar (rel.)
		P			● ABS
			006		● nominal diameter DN 6
				T	● nozzle

All technical changes reserved

●BASIC Standard ○BASIC Programme option □VARIO Special option ⊕ PLUS Accessories ✗ not recommendable