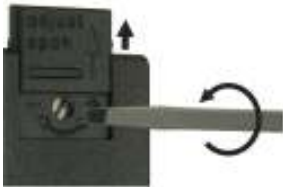


**GENERAL CHARACTERISTICS**

Instruments operate by a spring-supported paddel with magnetic triggering of a reed switch.

- \* good repeatability
- \* low pressure loss
- \* dirt resistant
- \* hermetic separation of electrical and hydraulic components
- \* easy adjustment of switch



Welding/soldering socket DN15 to DN 80 brass/stainless steel



UR3K-025VM

**TECHNICAL DATA**

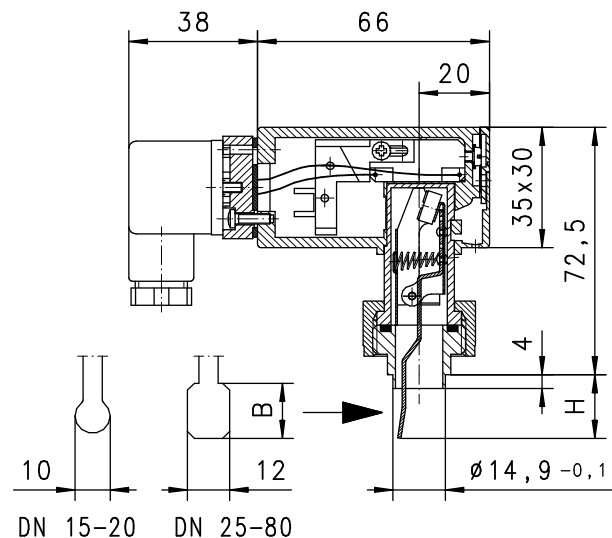
	DN	Type	PN bar	Qmax. recom. l/min H <sub>2</sub> O	adjustable range l/min H <sub>2</sub> O	H mm	D mm	A mm	B mm	weight kg
brass	15	UR3K-015VM	25	20	8.5 - 11	18.5	10	-	-	0.21
	20			40	14 - 19					
	25	UR3K-025VM	25	80	15 - 20	27.0	-	12	16	0.22
	32			100	39 - 52					
	40			150	49 - 64					
	50	UR3K-050VM	25	200	68 - 84	40.5	-	12	19	0.23
stainless steel	65			400	127 - 163					
	80			600	189 - 248					
	15	UR3K-015VK	25	20	8.5 - 11	18.5	10	-	-	0.21
	20			40	14 - 19					
	25	UR3K-025VK	25	80	15 - 20	27.0	-	12	16	0.22
	32			100	39 - 52					
	40			150	49 - 64					
	50	UR3K-050VK	25	200	68 - 84	40.5	-	12	19	0.23
65			400	127 - 163						
80			600	189 - 248						

Adjustable range is indicated for horizontally decreasing flow. Calibrated in tube DIN2448 standard wall thickness.

tolerance	±15% of full scale
media temperature	max. 110°C
average pressure loss	0.01bar at Qmax.
hysteresis	depending on switch value minimum 0.7 l/min.

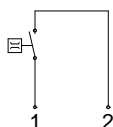
**MATERIALS**

	UR3K-...VM	UR3K-...VK
socket	brass Ms58	stainless steel 1.4305
body	brass Ms58 nickel plated	stainless steel 1.4571
paddle	stainless steel 1.4301 ; 1.4571	stainless steel 1.4301 ; 1.4571
spring	stainless steel 1.4310	stainless steel 1.4310
magnet	oxyd 300	oxyd 300
seal	NBR	viton

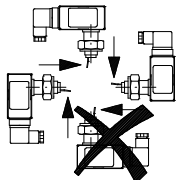


**ELECTRICAL DATA**

reed switch - wiring 0.372 n.o.  
230 V AC 1A 50VA  
plug DIN 43650-A  
protection class 2  
protection class IP 65



**MOUNTING POSITION**



Installation position may influence switch value.

**METERING SUBSTANCES**



water



gas/air



oil

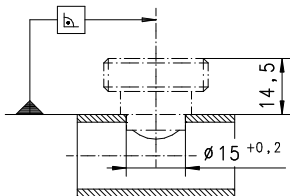
**NOMENCLATURE**

UR3K-	015	V	M	basic type specification
	015			● nominal diameter DN 15-20
	025			● nominal diameter DN 25-40
	050			● nominal diameter DN 50-80
		V		● welding socket
			M	● brass design
			K	● stainless steel design
Special option VARIO				☐ setting / adjustable ranges for oil or gas contact for locking plug M12x1, 4-pole minimal flow range

**IMPORTANT FOR YOUR ORDER**

- Please indicate flow direction, metering substance and adjustable range with your order.
- With viscous liquids please indicate viscosity, temperature and metering substance (adjustable range on request)
- With gaseous media indicate pressure (relative or absolute), temperature and metering substance (adjustable range on request)

**INSTALLATION RECOMMENDATIONS**



Tube DIN 2448  
standard wall thickness

All technical changes reserved

IBASIC Standard ○BASIC Programme option ☐VARIO Special option ⊕ PLUS Accessories ✗not recommendable