

**GENERAL CHARACTERISTICS**

Mechanical Flow Switch for liquids or gaseous media. A bellow-supported paddle activates an adjustable micro switch. Rugged design in brass or stainless steel.

- \* operational range a diameter 25-200
- \* good repeatability
- \* low pressure loss

Male thread R1" brass/stainless steel



**CRG-025HM**

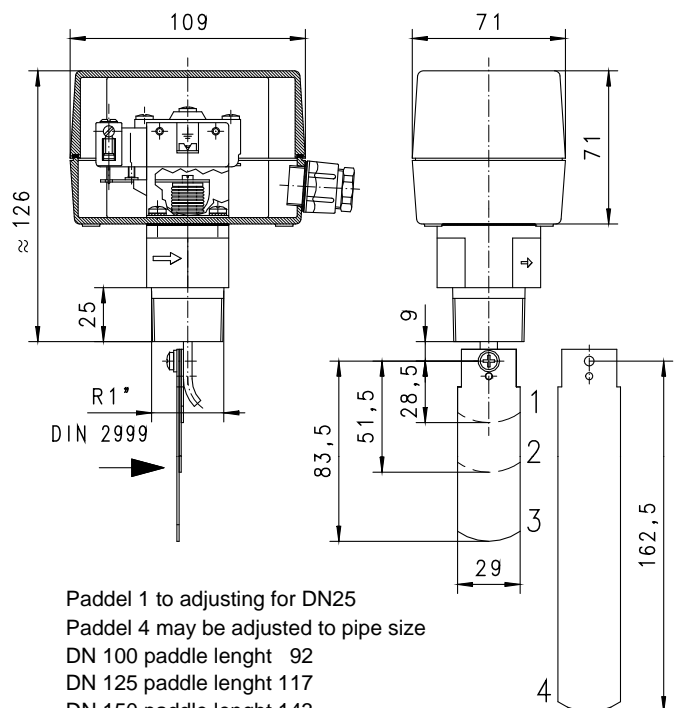
**TECHNICAL DATA**

DN	Qmax. recom. m³/h H₂O	adjustable range m³/h H₂O	adjustable range reduced m³/h H₂O	paddle
25	3.6	0.6 - 2.0	0.2 - 1.0	1
32	6	0.8 - 2.8	0.25- 1.4	1
40	9	1.1 - 3.7	0.5 - 1.9	1
50	15	2.2 - 5.7	0.9 - 3.6	1,2
65	24	2.7 - 6.5	1.2 - 4.9	1,2
80	36	4.3 - 10.7	2.1 - 7.4	1,2,3
100	60	11.4 - 27.7	4.9 - 17.1	1,2,3
	60	6.1 - 17.3	3.3 - 11.6	1,2,3,4
150	120	35.9 - 81.7	16.6 - 47.6	1,2,3
	120	12.3 - 30.6	6.1 - 21.4	1,2,3,4
200	240	72.6 - 165.7	25.7 - 90.1	1,2,3
	240	38.6 - 90.8	21.7 - 55.3	1,2,3,4

Adjustable range is indicated for horizontally decreasing flow.

pressure	CRG-025HM	11 bar static 11 bar dynamic
	CRG-025HK	30 bar static 11 bar dynamic
media temperature	max. 120°C	
average pressure loss	0.08bar at Qmax.	
hysteresis	depending on switch value minimum 0.1 l/min.	
weight	CRG-025HM	0.90kg
	CRG-025HK	0.95kg

Attention! Paddle fixation not secured.  
With critical conditions (i.e. vibration) please  
protect paddle screws.



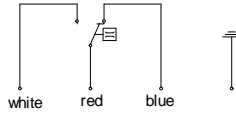
Paddel 1 to adjusting for DN25  
Paddel 4 may be adjusted to pipe size  
DN 100 paddle length 92  
DN 125 paddle length 117  
DN 150 paddle length 143  
from DN 175 original paddle length

**MATERIALS**

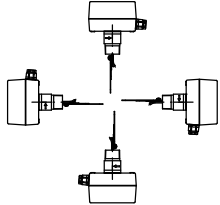
	<b>CRE-025HM</b>	<b>CRE-025HK</b>
housing	brass Ms58	stainless steel 1.4571
paddle	stainless steel 1.4571	stainless steel 1.4571
bellow	tombak	stainless steel 1.4571
cap	ABS	ABS

**ELECTRICAL DATA**

micro switch - wiring 0.374 change over  
250 V AC 15(8) A  
cable gland Pg11  
protection class IP 65

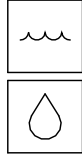


**MOUNTING POSITION**



Installation position may influence switch value.

**METERING SUBSTANCES**



water  
oil



design stainless steel CRG-025HK for aggressive liquids

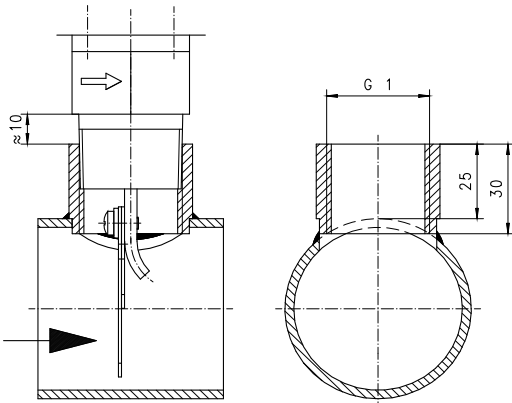
**NOMENCLATURE**

CRG-	025	H	M	S		basic type specification
	025					● connection thread DN25 - R1"
		H				● socket thread
			M			● brass design
			K			● stainless steel design
				S		● cable gland in cap
					R	○ reduced adjustable range
Special option VARIO						□ gold contacts 125 V AC / 1 A adjustment

**IMPORTANT FOR YOUR ORDER**

- Please indicate flow direction, metering substance and adjustable range with your order.
- With viscous liquids please indicate viscosity, temperature and metering substance (adjustable range on request)

**INSTALLATION RECOMMENDATIONS**



tube DIN 2448 standard wall thickness

**SPECIAL APPLICATIONS**

flow switch  
TÜV-approval



Request please the data sheet 3.1.CRE.

wind vane switch



Request please the data sheet 3.1.YR.



All technical changes reserved

IBASIC Standard ○BASIC Programme option □VARIO Special option ⊕ PLUS Accessories

✗ not recommendable